

For Additional Security

THD860 Hinge Bolt Pack of 2

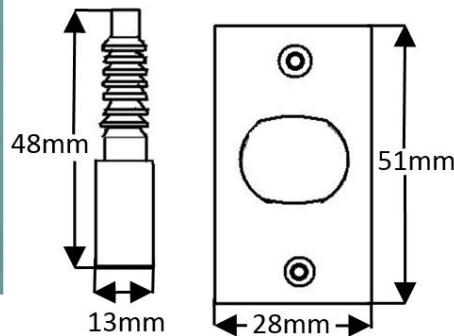
Finishes Available



Specification



THD860



Material : Steel.
 Weight : 117 grams per pair and screws.
 Size of Bolt : 48mm Long x 13mm Wide.
 Size of the Plate : 51mm x 28mm
 Sold as : Pack of 10 Inserts
 With Screws : 4 x 3.5 x 19mm
 Countersunk Flat Head Pozi Wood
 Screws.
 Inner Box Quantity : 10 packs
 Outer Box Quantity :
 10 outer boxes of 10 packs.

Part No.	Description	Finish
THD860	Hinge Bolt – Pack of 2	Zinc Plated

Note: Due to the nature of the manufacturing process, a tolerance of + / - 5 % must be allowed on the weight and dimensions given on this product

For further information Call Sales on 01254 7739465 or visit our website : www.traditionalhardwaredirect.com