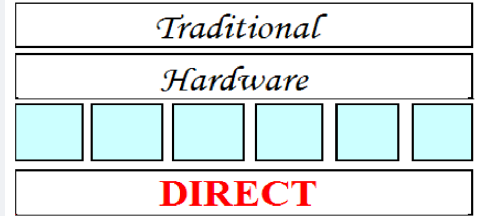


# Simplex System



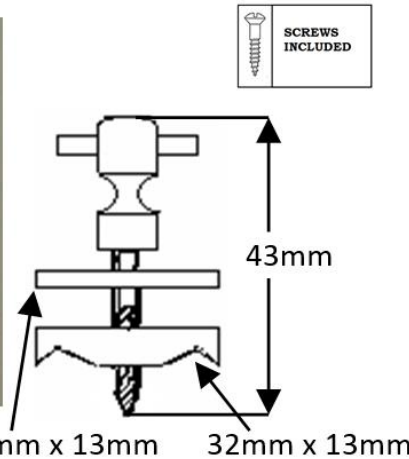
## Where Quality Counts

### THD279 Baton Rod Screw Long – 43mm

#### Finishes Available



THD279



### Specification

Material : Cast Brass  
 Weight : 34 grams inc screws  
 Size of Plate : 32mm x 14mm  
 Height of Product : 43mm  
 Sold as : Each  
 With Screws : 4 no. 3/4" x 4 E.B.  
 Steel Raised Countersunk  
 Slotted W/S  
 Inner Box Quantity : 25  
 Outer Box Quantity : 250

Part No.	Description	Finish
THD279/PB	Baton Rod Screw – Long – 43mm	Polished Brass
THD279/CP	Baton Rod Screw – Long – 43mm	Chrome Plated
THD279/SCP	Baton Rod Screw – Long – 43mm	Satin Chrome Plated
THD279/SNP	Baton Rod Screw – Long – 43mm	Satin Nickel Plated
THD279/AB	Baton Rod Screw – Long – 43mm	Antique Brass
THD279/AN	Baton Rod Screw – Long – 43mm	Antique Nickel
THD279/BRO	Baton Rod Screw – Long – 43mm	Bronze
THD279/BLP	Baton Rod Screw – Long – 43mm	Black Polished

NOTE : This product is made from Cast Brass and manufactured using the Traditional Sand Cast method.

The items requiring a Lacquer protection are protected using the Electrophoretically Lacquered process giving a very attractive long-lasting product.

Traditional Hardware Direct will Guarantee the product against product failure due to manufacturing defects under normal usage for a period of 10 years from the date of purchase (for further information see our website).

When cleaning the product, use a cloth soaked in warm soapy water and dry off using clean dry cloth – Do not use any chemical cleaners as this will harm the product and will break down the lacquer and tarnish the product.

Due to the nature of the manufacturing process, a tolerance of + / - 5 % must be allowed on the weight and dimensions given on this product

**For further information Call Sales on 01254 7739465 or visit our website : [www.traditionalhardwaredirect.com](http://www.traditionalhardwaredirect.com)**