

Sash Handles

Traditional

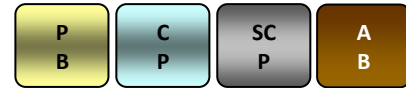
Hardware

DIRECT

Hand Crafted Products

THD278 Decorative Sash Pull Handle

Finishes Available

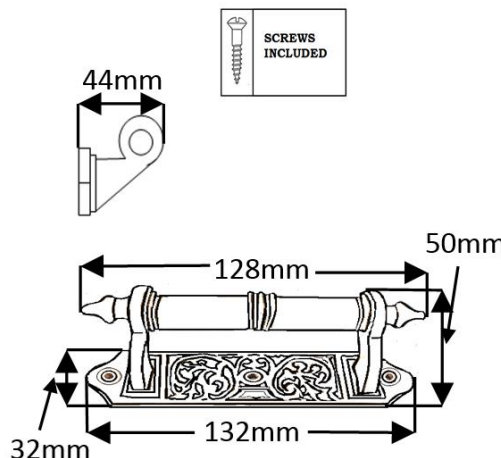


Specification

Material : Cast Brass
 Weight : 288 grams inc screws
 Size of Plate : 132mm x 32mm
 Height of Product : 45mm
 Sold as : Each
 With Screws : 2 no. 19mm x 4 E.B. Steel Raised Countersunk Slotted Wood Screws.
 Inner Box Quantity : 5
 Outer Box Quantity : 50



THD278



Part No.

THD278/PB
 THD278/CP
 THD278/SCP
 THD278/AB

Description

Decorative Sash Pull Handle
 Decorative Sash Pull Handle
 Decorative Sash Pull Handle
 Decorative Sash Pull Handle

Finish

Polished Brass
 Chrome Plated
 Satin Chrome Plated
 Antique Brass

NOTE : This product is made from Cast Brass and manufactured using the Traditional Sand Cast method.

The items requiring a Lacquer protection are protected using the Electrophoretically Lacquered process giving a very attractive long-lasting product.

Traditional Hardware Direct will Guarantee the product against product failure due to manufacturing defects under normal usage for a period of 10 years from the date of purchase (for further information see our website).

When cleaning the product, use a cloth soaked in warm soapy water and dry off using clean dry cloth – Do not use any chemical cleaners as this will harm the product and will break down the lacquer and tarnish the product.

Due to the nature of the manufacturing process, a tolerance of + / - 5 % must be allowed on the weight

For further information Call Sales on 01254 7739465 or visit our website : www.traditionalhardwaredirect.com