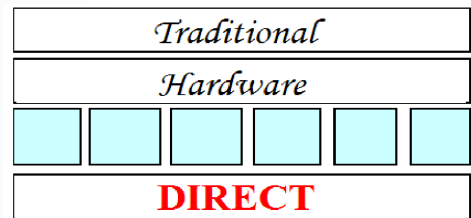


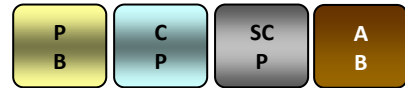
Security Products



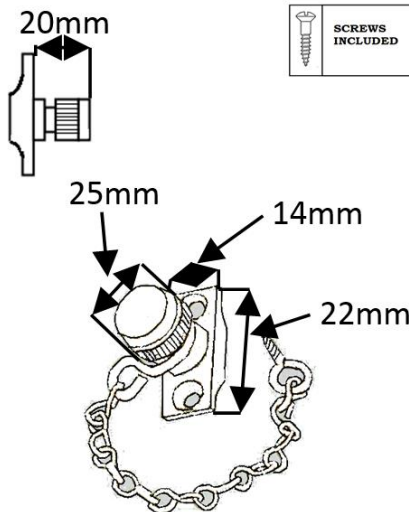
Wide choice of Security Products

THD245 Acorn Sash Stop (Each)

Finishes Available



THD245



Specification

Material : Cast Brass
 Weight : 54 grams inc screws
 Size of Plate : 34mm x 14mm
 Height of Product : 40mm
 Sold as : Each
 With Screws : 4 no. 3/4" x 4 E.B. Steel Flat Head Countersunk Slotted Wood Screws
 Inner Box Quantity : 25
 Outer Box Quantity : 250

Part No.	Description	Finish
THD245/PB	Acorn Sash Stop	Polished Brass
THD245/CP	Acorn Sash Stop	Chrome Plated
THD245/SCP	Acorn Sash Stop	Satin Chrome Plated
THD245/AB	Acorn Sash Stop	Antique Brass

NOTE : This product is made from a mixture of Brass and Steel.
 The items requiring a Lacquer protection are protected using the Electrophoretically Lacquered process giving a very attractive long-lasting product.
 Traditional Hardware Direct will Guarantee the product against product failure due to manufacturing defects under normal usage for a period of 10 years from the date of purchase (for further information see our website).
 When cleaning the product, use a cloth soaked in warm soapy water and dry off using clean dry cloth – Do not use any chemical cleaners as this will harm the product and will break down the lacquer and tarnish the product.
 Due to the nature of the manufacturing process, a tolerance of + / - 5 % must be allowed on the weight and dimensions given on this product

For further information Call Sales on 01254 7739465 or visit our website : www.traditionalhardwaredirect.com