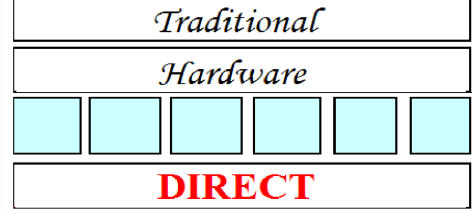


Security Products



Wide choice of Security Products

THD200 Dual Screw 100mm, With Key

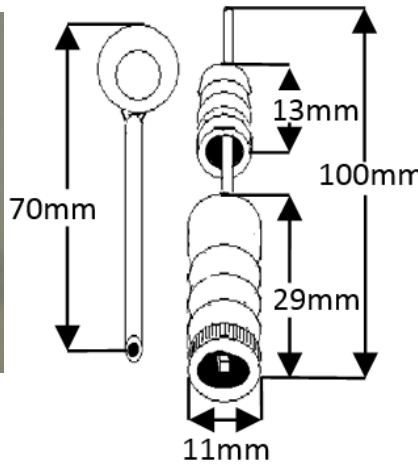
Finishes Available



Specification



THD200



Material : Brass & Steel , Steel Key
 Weight : 46 grams
 Length of Product : 100mm
 Width of Product : 11mm
 Sold as : Set
 With Screws : no screws required
 Inner Box Quantity : 20
 Outer Box Quantity : 200

Part No.	Description	Finish
THD200/PB	Dual Screw – 100mm With Key	Polished Brass
THD200/CP	Dual Screw – 100mm With Key	Chrome Plated
THD200/SCP	Dual Screw – 100mm With Key	Satin Chrome Plated
THD200/AB	Dual Screw – 100mm With Key	Antique Brass

NOTE : This product is made from a mixture of Brass and Steel.
 The items requiring a Lacquer protection are protected using the Electrochemically Lacquered process giving a very attractive long-lasting product.
 Traditional Hardware Direct will Guarantee the product against product failure due to manufacturing defects under normal usage for a period of 10 years from the date of purchase (for further information see our website).
 When cleaning the product, use a cloth soaked in warm soapy water and dry off using clean dry cloth – Do not use any chemical cleaners as this will harm the product and will break down the lacquer and tarnish the product.
 Due to the nature of the manufacturing process, a tolerance of + / - 5 % must be allowed on the weight and dimensions given on this product

For further information Call Sales on 01254 7739465 or visit our website : www.traditionalhardwaredirect.com