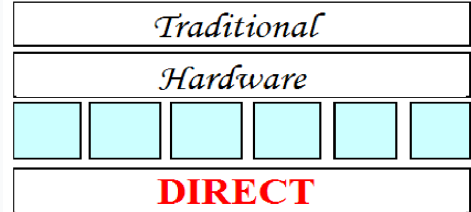


Security Products



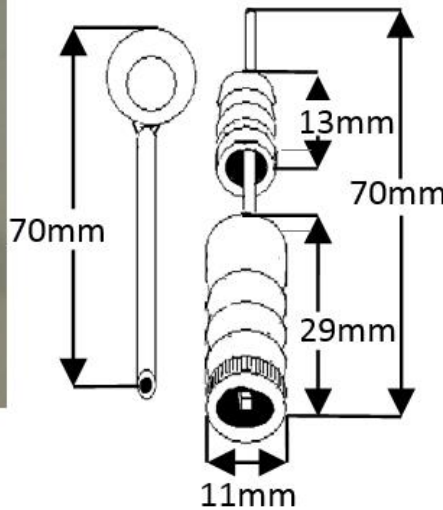
Wide choice of Security Products

THD198 Dual Screw 70mm, With Key

Finishes Available



THD198



Specification

Material : Brass & Steel , Steel Key
 Weight : 36 grams
 Length of Product : 70mm
 Width of Product : 11mm
 Sold as : Set
 With Screws : no screws required
 Inner Box Quantity : 20
 Outer Box Quantity : 200

Part No.

THD198/PB
 THD198/CP
 THD198/SCP
 TH198/SNP
 THD198/AB
 THD198/AN
 THD198/BRO
 THD198/BLP

Description

Dual Screw – 70mm With Key
 Dual Screw – 70mm With Key
 Dual Screw – 70mm With Key
 Dual Screw – 70mm With Key
 Dual Screw – 70mm With Key
 Dual Screw – 70mm With Key
 Dual Screw – 70mm With Key
 Dual Screw – 70mm With Key
 Dual Screw – 70mm With Key

Finish

Polished Brass
 Chrome Plated
 Satin Chrome Plated
 Satin Nickel Plated
 Antique Brass
 Antique Nickel
 Bronze
 Black Polished

NOTE : This product is made from a mixture of Brass and Steel.

The items requiring a Lacquer protection are protected using the Electrophoretically Lacquered process giving a very attractive long-lasting product.

Traditional Hardware Direct will Guarantee the product against product failure due to manufacturing defects under normal usage for a period of 10 years from the date of purchase (for further information see our website).

When cleaning the product, use a cloth soaked in warm soapy water and dry off using clean dry cloth – Do not use any chemical cleaners as this will harm the product and will break down the lacquer and tarnish the product.

Due to the nature of the manufacturing process, a tolerance of + / - 5 % must be allowed on the weight and dimensions given on this product

For further information Call Sales on 01254 7739465 or visit our website : www.traditionalhardwaredirect.com