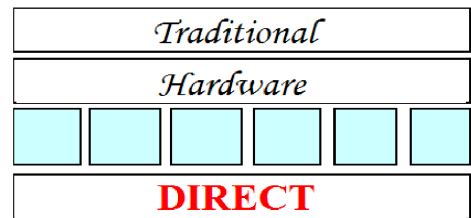


Sash Lifts & Eyes



Traditional Designs

THD180 Flat Sash Lift, Heavy Cast 50mm

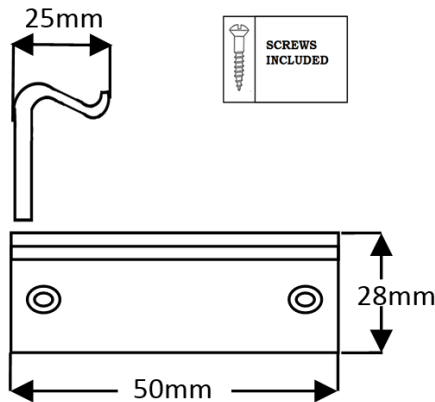
Finishes Available



Specification



THD180



Material : Cast Brass
 Weight : 56 grams inc screws
 Size of Plate : 50mm x 28mm
 Height of Product : 25mm
 Sold as : Each
 With Screws : 2 no. 3/4" x 4 E.B.
 Steel Raised Countersunk
 Slotted W/S
 Inner Box Quantity : 10
 Outer Box Quantity : 100

Part No.	Description	Finish
THD180/PB	Flat Sash Lift – Heavy Cast – 50mm	Polished Brass
THD180/CP	Flat Sash Lift – Heavy Cast – 50mm	Chrome Plated
THD180/SCP	Flat Sash Lift – Heavy Cast – 50mm	Satin Chrome Plated
THD180/AB	Flat Sash Lift – Heavy Cast – 50mm	Antique Brass
THD180/AC	Flat Sash Lift – Heavy Cast – 50mm	Antique Copper

NOTE : This product is made from Cast Brass and manufactured using the Traditional Sand Cast method. The items requiring a Lacquer protection are protected using the Electrophoretically Lacquered process giving a very attractive long-lasting product.

Traditional Hardware Direct will Guarantee the product against product failure due to manufacturing defects under normal usage for a period of 10 years from the date of purchase (for further information see our website).

When cleaning the product, use a cloth soaked in warm soapy water and dry off using clean dry cloth – Do not use any chemical cleaners as this will harm the product and will break down the lacquer and tarnish the product.

Due to the nature of the manufacturing process, a tolerance of + / - 5 % must be allowed on the weight and dimensions given on this product

For further information Call Sales on 01254 7739465 or visit our website : www.traditionalhardwaredirect.com