

# Sash Lifts & Eyes

Traditional

Hardware

**DIRECT**

## Hand Crafted Products

### THD169 Cast Brass Sash Lift Small

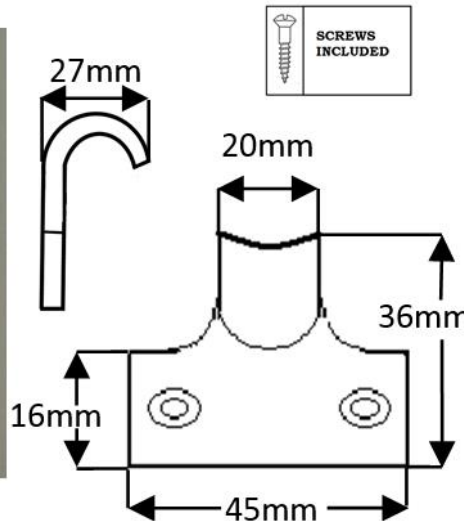
#### Finishes Available



#### Specification



THD169



Material : Cast Brass  
 Weight : 46 grams inc screws  
 Size of Plate : 45mm x 36mm  
 Height of Product : 30mm  
 Sold as : Each  
 With Screws : 2 no. 3/4" x 4 E.B. Steel Raised Countersunk Slotted W/S  
 Inner Box Quantity : 25  
 Outer Box Quantity : 250

#### Part No.

THD169/PB  
 THD169/CP  
 THD169/SCP  
 THD169/AB  
 THD169/AC  
 THD169/WH

#### Description

Cast Brass Sash Lift – 45mm  
 Cast Brass Sash Lift – 45mm  
 Cast Brass Sash Lift – 45mm  
 Cast Brass Sash Lift – 45mm  
 Cast Brass Sash Lift – 45mm  
 Cast Brass Sash Lift – 45mm

#### Finish

Polished Brass  
 Chrome Plated  
 Satin Chrome Plated  
 Antique Brass  
 Antique Copper  
 White Powder Coated

NOTE : This product is made from Cast Brass and manufactured using the Traditional Sand Cast method. The items requiring a Lacquer protection are protected using the Electrophoretically Lacquered process giving a very attractive long-lasting product.

Traditional Hardware Direct will Guarantee the product against product failure due to manufacturing defects under normal usage for a period of 10 years from the date of purchase (for further information see our website).

When cleaning the product, use a cloth soaked in warm soapy water and dry off using clean dry cloth – Do not use any chemical cleaners as this will harm the product and will break down the lacquer and tarnish the product.

Due to the nature of the manufacturing process, a tolerance of + / - 5 % must be allowed on the weight and dimensions given on this product

**For further information Call Sales on 01254 7739465 or visit our website : [www.traditionalhardwaredirect.com](http://www.traditionalhardwaredirect.com)**