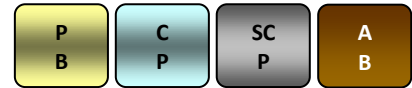


Additional Security

THD144 15mm Flush - Small Sash Stops (Pack of 4)

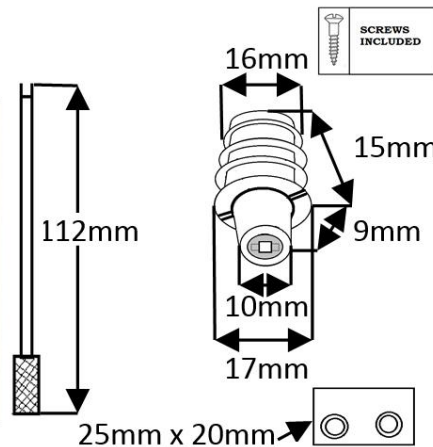
Finishes Available



Specification



THD144



Material: Brass
 Weight: 149 grams Inc. screws
 Length of Product: 15mm
 Width of Product: 16mm
 Sold as: Pack of 4 Stops, 4 Striker Plates and 1 Key
 With Screws: 8 Number 20mm x 4 E.B. Raised Head, Countersunk, Slotted, Steel W/S
 Inner Box Quantity: 10
 Outer Box Quantity: 100

Part No.	Description	Finish
THD144/PB	15mm Flush Sash Stop (Pack of 4)	Polished Brass
THD144/CP	15mm Flush Sash Stop (Pack of 4)	Chrome Plated
THD144/SCP	15mm Flush Sash Stop (Pack of 4)	Satin Chrome Plated
THD144/AB	15mm Flush Sash Stop (Pack of 4)	Antique Brass

NOTE : This product is made from Sheet Brass and Cast Brass and manufactured using the Traditional Sand Cast method.

The items requiring a Lacquer protection are protected using the Electrophoretically Lacquered process giving a very attractive long-lasting product.

Traditional Hardware Direct will Guarantee the product against product failure due to manufacturing defects under normal usage for a period of 10 years from the date of purchase (for further information see our website).

When cleaning the product, use a cloth soaked in warm soapy water and dry off using clean dry cloth – Do not use any chemical cleaners as this will harm the product and will break down the lacquer and tarnish the product.

Due to the nature of the manufacturing process, a tolerance of + / - 5 % must be allowed on the weight and dimensions given on this product

For further information Call Sales on 01254 7739465 or visit our website : www.traditionalhardwaredirect.com