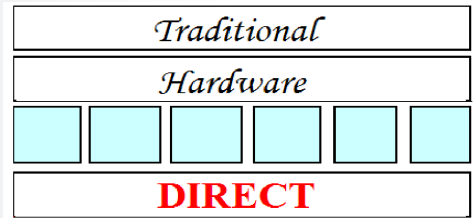


Sash Fasteners



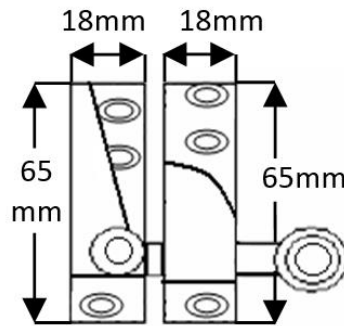
Fasteners for Optimum Performance

THD184 Straight Arm Fastener Reeded Knob - Non Locking.

Finishes Available



THD184



Specification

Material : Cast Brass
 Weight : 158 grams inc screws
 Size of Plate : 65mm x 18mm
 Height of Product : 33mm
 Sold as : Each
 With Screws : 6 Number 19mm x 4
 EB, Raised Head, Slotted,
 Countersunk, Steel Wood Screws
 Inner Box Quantity : 10
 Outer Box Quantity : 100

Part No.	Description	Finish
THD184/PB	Straight Arm Fastener – Reeded Knob – Non Locking	Polished Brass
THD184/CP	Straight Arm Fastener – Reeded Knob – Non Locking	Chrome Plated
THD184/SCP	Straight Arm Fastener – Reeded Knob – Non Locking	Satin Chrome Plated
THD184/AB	Straight Arm Fastener – Reeded Knob – Non Locking	Antique Brass
THD184/AN	Straight Arm Fastener – Reeded Knob – Non Locking	Antique Nickel
THD184/BRO	Straight Arm Fastener – Reeded Knob – Non Locking	Bronze
THD184/BLP	Straight Arm Fastener – Reeded Knob – Non Locking	Black Polished

NOTE : This product is made from Cast Brass and manufactured using the Traditional Sand Cast method.

The items requiring a Lacquer protection are protected using the Electroplating process giving a very attractive long-lasting product.

Traditional Hardware Direct will Guarantee the product against product failure due to manufacturing defects under normal usage for a period of 10 years from the date of purchase (for further information see our website).

When cleaning the product, use a cloth soaked in warm soapy water and dry off using clean dry cloth – Do not use any chemical cleaners as this will harm the product and will break down the lacquer and tarnish the product.

Due to the nature of the manufacturing process, a tolerance of + / - 5 % must be allowed on the weight and dimensions given on this product

For further information Call Sales on 01254 7739465 or visit our website : www.traditionalhardwaredirect.com