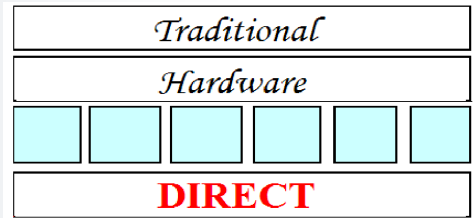


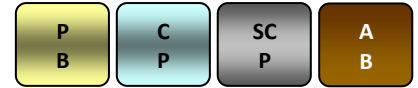
# Sash Fasteners



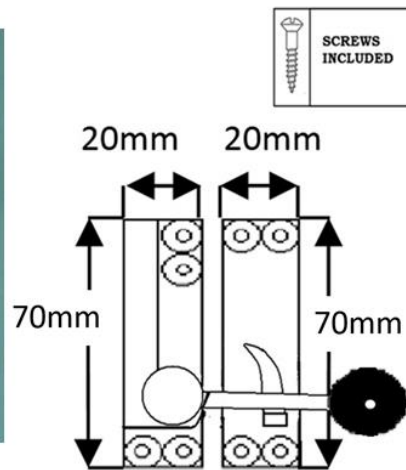
## Fasteners for Optimum Performance

### THD157WB Quadrant Fastener, with a Black Wood Knob. Non-Locking

Finishes Available



THD157WB



### Specification

Material : Brass / Wood  
 Weight : 143 grams inc screws  
 Size of Plate : 70mm x 20mm  
 Size if the Keep : 70mm x 20mm  
 Height of Product : 38 mm  
 Sold as : Each  
 With Screws : 8 Number 19mm x 4 E.B. Raised Head, Countersunk, Slotted, Steel W/S  
 Inner Box Quantity : 10  
 Outer Box Quantity : 100

Part No.	Description	Finish
THD157WB/PB	Quadrant Fastener with a Black Wood Knob - Non Locking	Polished Brass
THD157WB/CP	Quadrant Fastener with a Black Wood Knob - Non Locking	Chrome Plated
THD157WB/SCP	Quadrant Fastener with a Black Wood Knob - Non Locking	Satin Chrome Plated
THD157WB/AB	Quadrant Fastener with a Black Wood Knob - Non Locking	Antique Brass

NOTE : This product is made from Cast Brass and manufactured using the Traditional Sand Cast method and supplied with a Wooden Knob.  
 The items requiring a Lacquer protection are protected using the Electrolytically Lacquered process giving a very attractive long-lasting product.  
 Traditional Hardware Direct will Guarantee the product against product failure due to manufacturing defects under normal usage for a period of 10 years from the date of purchase (for further information see our website).  
 When cleaning the product, use a cloth soaked in warm soapy water and dry off using clean dry cloth – Do not use any chemical cleaners as this will harm the product and will break down the lacquer and tarnish the product.  
 Due to the nature of the manufacturing process, a tolerance of + / - 5 % must be allowed on the weight and dimensions given on this product

**For further information Call Sales on 01254 7739465 or visit our website : [www.traditionalhardwaredirect.com](http://www.traditionalhardwaredirect.com)**