

Sash Fasteners

Traditional					
Hardware					
DIRECT					

Fasteners for Optimum Performance

THD120 Modern Cam Fastener Non Locking - Zinc Alloy

Supplied with a 11mm Wide Keep

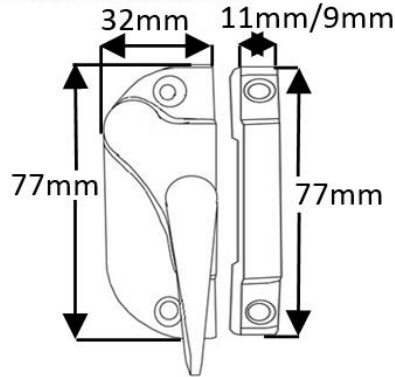
Finishes Available



THD120



Zinc Alloy Sash Window Fittings



Specification

Material : Zinc Alloy
 Weight : 138 grams inc screws
 Size of Fastener : 32mm x 77mm
 Size of the Keep : 11mm x 77mm
 Height of Product : 27mm
 Sold as : Each
 With Screws : 4 Number 25mm x 4
 Coloured Flat Head, Countersunk, Pozi
 Steel W/S
 Inner Box Quantity : 10
 Outer Box Quantity : 100

Part No.	Description	Finish
THD120/GD	Modern Cam Fastener – Non Locking – Zinc Alloy	Gold Effect
THD120/CP	Modern Cam Fastener – Non Locking – Zinc Alloy	Chrome Plated
THD120/SCP	Modern Cam Fastener – Non Locking – Zinc Alloy	Satin Chrome Plated
THD120/AB	Modern Cam Fastener – Non Locking – Zinc Alloy	Antique Brass
THD120/WH	Modern Cam Fastener – Non Locking – Zinc Alloy	White
THD120/BLP	Modern Cam Fastener – Non Locking – Zinc Alloy	Black Polished

NOTE : This product is made from Zinc Alloy in a cast mold.
 The items requiring a Lacquer protection are protected using the Electrophoretically Lacquered process giving a very attractive long-lasting product.
 Traditional Hardware Direct will Guarantee the product against product failure due to manufacturing defects under normal usage for a period of 10 years from the date of purchase (for further information see our website).
 When cleaning the product, use a cloth soaked in warm soapy water and dry off using a clean dry cloth – Do not use any chemical cleaners as this will harm the product and will break down the lacquer and tarnish the product.
 Due to the nature of the manufacturing process, a tolerance of + / - 5 % must be allowed on the weight and dimensions given on this product

For further information Call Sales on 01254 773945 or visit our website : www.traditionalhardwaredirect.com