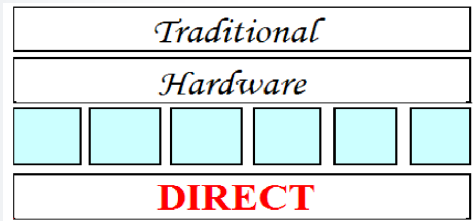


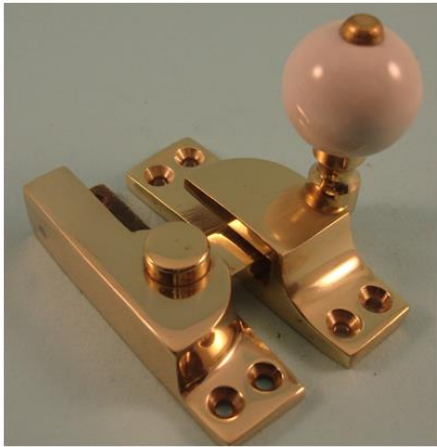
Sash Fasteners



Fasteners for Optimum Performance

THD104 Straight Arm Fastener with a White Ceramic Knob: Standard Non-Locking

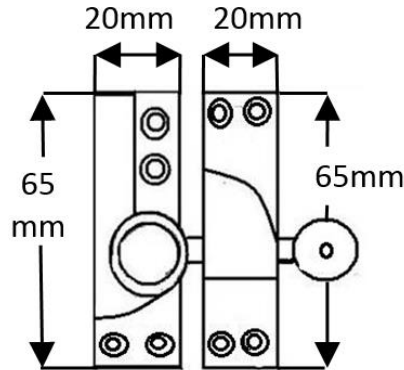
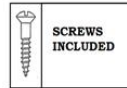
Finishes Available



THD104

Old Style

Sash Fasteners



Specification

Material : Brass / Ceramic
 Weight : 186 grams inc screws
 Size of Plate: 65mm x 20mm
 Height of Product : 49mm
 Sold as : Each
 With Screws : 8 Number 19mm x 4 E.B. Raised Head, Countersunk, Slotted, Steel W/S
 Inner Box Quantity : 10
 Outer Box Quantity : 100

Part No.	Description	Finish
THD104/PB	Straight Arm Fastener with a White a Ceramic Knob: Standard - Non Locking	Polished Brass
THD104/CP	Straight Arm Fastener with a White a Ceramic Knob: Standard - Non Locking	Chrome Plated
THD104/SCP	Straight Arm Fastener with a White Ceramic Knob: Standard - Non Locking	Satin Chrome Plated
THD104/SNP	Straight Arm Fastener with a White Ceramic Knob: Standard - Non Locking	Satin Nickel Plated
THD104/AB	Straight Arm Fastener with a White Ceramic Knob: Standard - Non Locking	Antique Brass

NOTE : This product is made from Cast Brass and manufactured using the Traditional Sand Cast method. The items requiring a Lacquer protection are protected using the Electrophoretically Lacquered process giving a very attractive long-lasting product. Traditional Hardware Direct will Guarantee the product against product failure due to manufacturing defects under normal usage for a period of 10 years from the date of purchase (for further information see our website). When cleaning the product, use a cloth soaked in warm soapy water and dry off using clon dry cloth – Do not use any chemical cleaners as this will harm the product and will break down the lacquer and tarnish the product. Due to the nature of the manufacturing process, a tolerance of + / - 5 % must be allowed on the weight and dimensions given on this product

For further information Call Sales on 01254 7739465 or visit our website : www.traditionalhardwaredirect.com