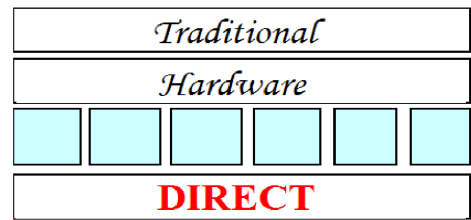
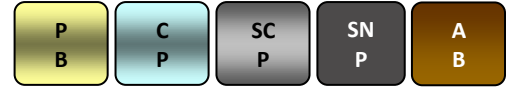


Sash Fasteners



THD101 Straight Arm Fastener Oval Knob: Standard Non-Locking

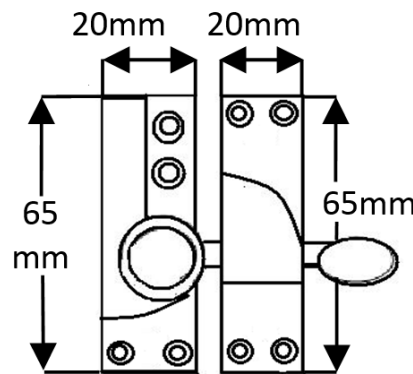
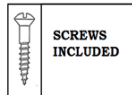
Finishes Available



Specification



Old Style Sash Fasteners



Material : Cast Brass
Weight : 160 grams inc screws
Size of Plate: 65mm x 20mm
Height of Product : 31mm
Sold as : Each
Screws : 8 Number 19mm x 4
E.B. Raised Head, Countersunk,
Slotted, Steel W/S
Inner Box Quantity: 10
Outer Box Quantity: 100

Part No.	Description	Finish
THD101/PB	Straight Arm Fastener – Oval Knob: Standard – Non Locking	Polished Brass
THD101/CP	Straight Arm Fastener – Oval Knob: Standard – Non Locking	Chrome Plated
THD101/SCP	Straight Arm Fastener – Oval Knob: Standard – Non Locking	Satin Chrome Plated
THD101/SNP	Straight Arm Fastener – Oval Knob: Standard – Non Locking	Satin Nickel Plated
THD101/AB	Straight Arm Fastener – Oval Knob: Standard – Non Locking	Antique Brass

NOTE : This product is made from Cast Brass and manufactured using the Traditional Sand Cast method.
The items requiring a Lacquer protection are protected using the Electrophoretically Lacquered process giving a very attractive long-lasting product.
Traditional Hardware Direct will Guarantee the product against product failure due to manufacturing defects under normal usage for a period of 10 years from the date of purchase (for further information see our website).
When cleaning the product, use a cloth soaked in warm soapy water and dry off using clean dry cloth – Do not use any chemical cleaners as this will harm the product and will break down the lacquer and tarnish the product.
Due to the nature of the manufacturing process, a tolerance of + / - 5 % must be allowed on the weight and dimensions given on this product

For further information Call Sales on 01254 7739465 or visit our website : www.traditionalhardwaredirect.com