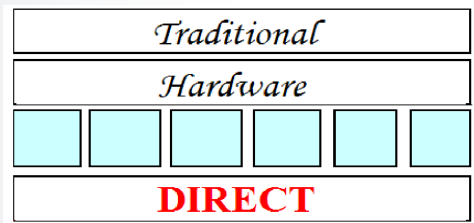


Sash Fasteners



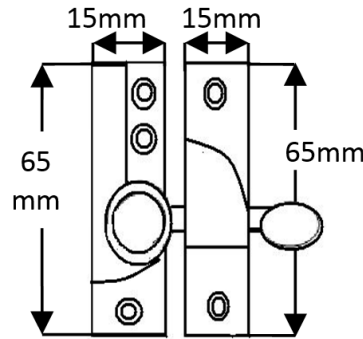
Fasteners for Optimum Performance

THD101N Straight Arm Fastener Oval Knob: Narrow Non-Locking

Finishes Available



Old Style Sash Fasteners



Specification

Material : Brass
 Weight : 125 grams inc screws
 Size of Plate: 65mm x 15mm
 Height of Product : 31mm
 Sold as : Each
 With Screws : 6 Number 19mm x 4 E.B. Raised Head, Countersunk, Slotted, Steel W/S
 Inner Box Quantity : 10
 Outer Box Quantity : 100

THD101N

| Part No. | Description | Finish |
|-------------|---|---------------------|
| THD101N/PB | Straight Arm Fastener – Oval Knob: Narrow Non-Locking | Polished Brass |
| THD101N/CP | Straight Arm Fastener – Oval Knob: Narrow Non-Locking | Chrome Plated |
| THD101N/SCP | Straight Arm Fastener – Oval Knob: Narrow Non-Locking | Satin Chrome Plated |
| THD101N/SNP | Straight Arm Fastener – Oval Knob: Narrow Non-Locking | Satin Nickel Plated |
| THD101N/AB | Straight Arm Fastener – Oval Knob: Narrow Non-Locking | Antique Brass |

NOTE : This product is made from Cast Brass and manufactured using the Traditional Sand Cast method. The items requiring a Lacquer protection are protected using the Electrophoretically Lacquered process giving a very attractive long-lasting product. Traditional Hardware Direct will Guarantee the product against product failure due to manufacturing defects under normal usage for a period of 10 years from the date of purchase (for further information see our website). When cleaning the product, use a cloth soaked in warm soapy water and dry off using clean dry cloth – Do not use any chemical cleaners as this will harm the product and will break down the lacquer and tarnish the product. Due to the nature of the manufacturing process, a tolerance of + / - 5 % must be allowed on the weight and dimensions given on this product

For further information Call Sales on 01254 7739465 or visit our website : www.traditionalhardwaredirect.com