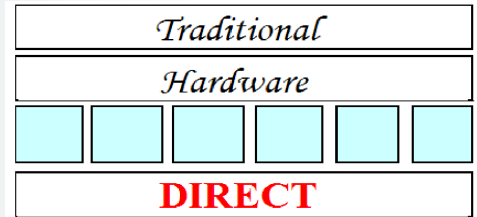


Sash Fasteners



Fasteners for Optimum Performance

THD099N Straight Arm Fastener Raised Round Knob: Narrow Non-Locking

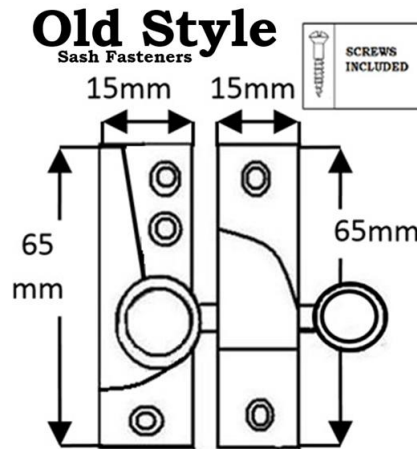
Finishes Available



Specification



THD099N



Material : Brass
 Weight : 144 grams inc screws
 Size of Plate: 65mm x 15mm
 Height of Product : 28mm
 Sold as : Each
 With Screws : 8 Number 19mm x 4
 E.B. Raised Head, Countersunk,
 Slotted, Steel W/S
 Inner Box Quantity : 10
 Outer Box Quantity : 100

Part No.	Description	Finish
THD099N/PB	Straight Arm Fastener – Raised Round Knob: Narrow Non-Locking	Polished Brass
THD099N/CP	Straight Arm Fastener – Raised Round Knob: Narrow Non-Locking	Chrome Plated
THD099N/SCP	Straight Arm Fastener – Raised Round Knob: Narrow Non-Locking	Satin Chrome Plated
THD099N/SNP	Straight Arm Fastener – Raised Round Knob: Narrow Non-Locking	Satin Nickel Plated
THD099N/AB	Straight Arm Fastener – Raised Round Knob: Narrow Non-Locking	Antique Brass

NOTE : This product is made from Cast Brass and manufactured using the Traditional Sand Cast method. The items requiring a Lacquer protection are protected using the Electrophoretically Lacquered process giving a very attractive long-lasting product.

Traditional Hardware Direct will Guarantee the product against product failure due to manufacturing defects under normal usage for a period of 10 years from the date of purchase (for further information see our website).

When cleaning the product, use a cloth soaked in warm soapy water and dry off using clean dry cloth – Do not use any chemical cleaners as this will harm the product and will break down the lacquer and tarnish the product.

Due to the nature of the manufacturing process, a tolerance of + / - 5 % must be allowed on the weight and dimensions given on this product

For further information Call Sales on 01254 7739465 or visit our website : www.traditionalhardwaredirect.com