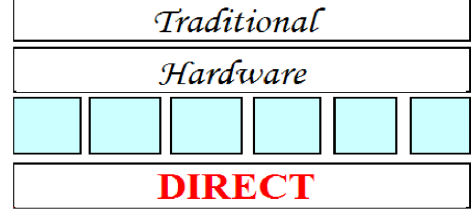
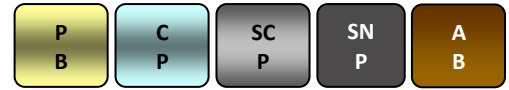


# Sash Fasteners



## THD097 Straight Arm Fastener Flat Round Knob: Standard Non-Locking

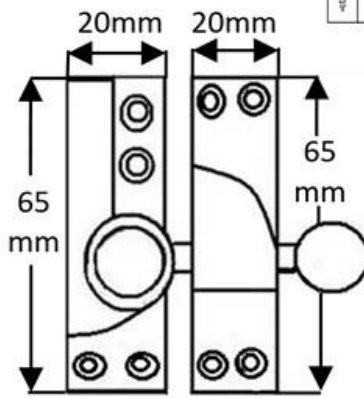
Finishes Available



## Specification



### Old Style Sash Fasteners



Material : Cast Brass  
Weight : 170 grams inc screws  
Size of Plate: 65mm x 20mm  
Height of Product : 30mm  
Sold as : Each  
Screws : 8 Number 19mm x 4  
E.B. Raised Head, Countersunk,  
Slotted, Steel W/S  
Inner Box Quantity: 10  
Outer Box Quantity: 100

#### Part No.

THD097/PB  
THD097/CP  
THD097/SCP  
THD097/SNP  
THD097/AB

#### Description

Straight Arm Fastener – Flat Round Knob: Standard – Non Locking  
Straight Arm Fastener – Flat Round Knob: Standard – Non Locking  
Straight Arm Fastener – Flat Round Knob: Standard – Non Locking  
Straight Arm Fastener – Flat Round Knob: Standard – Non Locking  
Straight Arm Fastener – Flat Round Knob: Standard – Non Locking

#### Finish

Polished Brass  
Chrome Plated  
Satin Chrome Plated  
Satin Nickel Plated  
Antique Brass

NOTE : This product is made from Cast Brass and manufactured using the Traditional Sand Cast method.

The items requiring a Lacquer protection are protected using the Electrophoretically Lacquered process giving a very attractive long-lasting product.

Traditional Hardware Direct will Guarantee the product against product failure due to manufacturing defects under normal usage for a period of 10 years from the date of purchase (for further information see our website).

When cleaning the product, use a cloth soaked in warm soapy water and dry off using clean dry cloth – Do not use any chemical cleaners as this will harm the product and will break down the lacquer and tarnish the product.

Due to the nature of the manufacturing process, a tolerance of + / - 5 % must be allowed on the weight and dimensions given on this product

**For further information Call Sales on 01254 7739465 or visit our website : [www.traditionalhardwaredirect.com](http://www.traditionalhardwaredirect.com)**