

Sash Lifts & Eyes

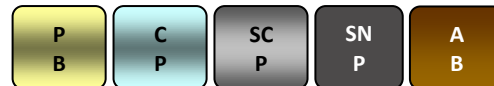
Traditional

Hardware

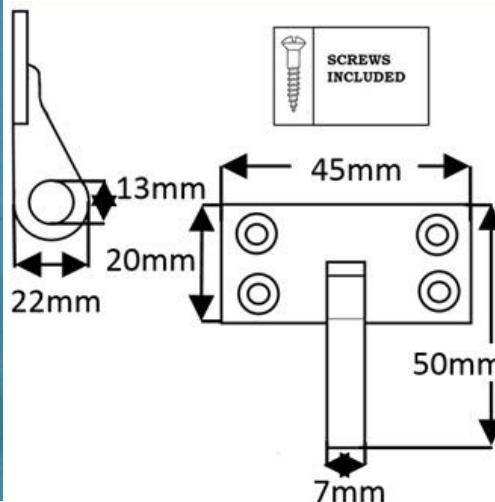
DIRECT

THD095 Ornamental Flat Sash Eye

Finishes Available



Specification



Material : Cast Brass
 Weight : 43 grams inc screws
 Size of Plate: 45mm x 20mm
 Height of Product : 22mm
 Sold as : Each
 With Screws : 4 Number 19mm x 4
 E.B. Raised Head, Countersunk,
 Slotted, Steel W/S
 Inner Box Quantity : 25
 Outer Box Quantity : 250

Part No.

THD095/PB
 THD095/CP
 THD095/SCP
 THD095/SNP
 THD095/AB

Description

Ornamental Flat Sash Eye
 Ornamental Flat Sash Eye
 Ornamental Flat Sash Eye
 Ornamental Flat Sash Eye
 Ornamental Flat Sash Eye

Finish

Polished Brass
 Chrome Plated
 Satin Chrome Plated
 Satin Nickel Plated
 Antique Brass

NOTE : This product is made from Cast Brass and manufactured using the Traditional Sand Cast method.

The items requiring a Lacquer protection are protected using the Electrophoretically Lacquered process giving a very attractive long-lasting product.

Traditional Hardware Direct will Guarantee the product against product failure due to manufacturing defects under normal usage for a period of 10 years from the date of purchase (for further information see our website).

When cleaning the product, use a cloth soaked in warm soapy water and dry off using clean dry cloth – Do not use any chemical cleaners as this will harm the product and will break down the lacquer and tarnish the product.

Due to the nature of the manufacturing process, a tolerance of + / - 5 % must be allowed on the weight and dimensions given on this product

For further information Call Sales on 01254 7739465 or visit our website : www.traditionalhardwaredirect.com